



MB27

Moisture Analyzer



Ideal for routine moisture analysis requiring precise results.

The new OHAUS MB27 Basic Moisture Analyzer combines high quality and durable construction into a sleek, compact design. The MB27 offers dependable, accurate results for a wide variety of moisture analysis applications.

Standard Features Include:

- **Flexible Performance**

The MB27 provides accurate results at 0.01% (0.001g). With a large capacity of 90 grams, it is ideal for food, agriculture, chemical, pharmaceutical and other applications that require measurements up to 0.01% (0.001g).

- **Simple to Operate**

Set up and operation is extremely easy. Just press and hold buttons to set drying parameters. The MB27 is ideal for routine tasks performed by operators of all skill levels.

- **Compact, Easy-to-Clean Design**

The compact footprint (17 × 14 × 28 cm) of the OHAUS MB27 is designed to take up less space. The easy-to-clean heating chamber is ideal for frequent use and inexpensive maintenance.

MB27 Moisture Analyzer

| Model | MB27 |
|------------------------------|---|
| Capacity | 90 g |
| Repeatability (Std Dev) (g) | 0.2% (3 g sample) 0.05% (10 g sample) |
| Readability | 0.01%/0.001 g |
| Sample size | 3g to 20g typical, 0.5g min. |
| Interface | Bidirectional RS232 |
| Timer | 1-99 minutes, 30-second increments to 60 minutes |
| Heating Technology | Halogen |
| Temperature Range | 50 °C to 160 °C in 5 °C increments |
| Power | 100 to 240 VAC, 50/60 Hz |
| Tare Range | To capacity by subtraction |
| Operating Temperature Range | 41 °F to 104 °F/5 °C to 40 °C |
| Display Type | Backlit LCD |
| Displays | %moisture or %solids or weight (g), temperature, time |
| Pan Size (Diameter) | 3.5 in/90 mm |
| Dimensions (W × H × D) | 6.5 × 5 × 11 in/17 × 14 × 28 cm |
| Net Weight | 5 lb/2.3 kg |
| Shipping Weight | 8.5 lb/3.9 kg |

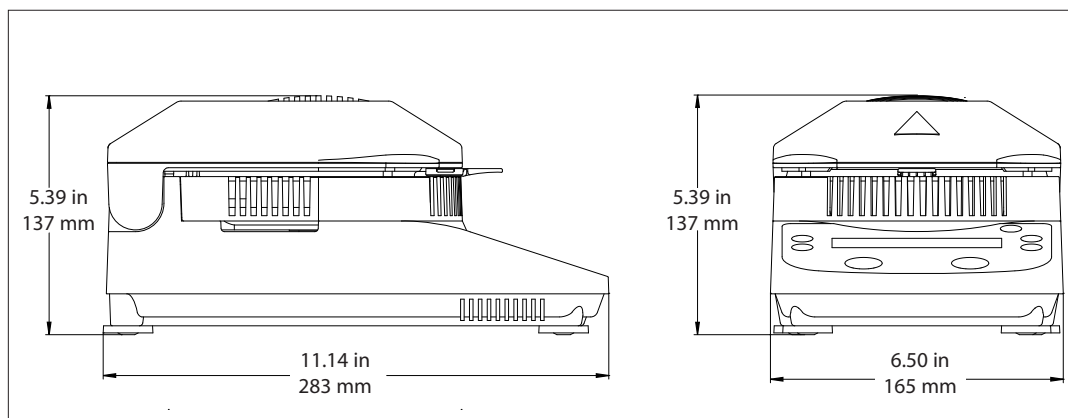
Compliance

- **Product Safety:** CAN/CSA C22.2 61010-1, CAN/CSA C22.2 61010-2-010, UL 61010-1,
- **Electromagnetic Compatibility:** FCC Part 15 Class A, ICES-003 Class A,

Accessories

| | |
|--|----------|
| Temperature Calibration Kit, MB Series | 11113857 |
| Anti-Theft Device | 80850043 |
| Aluminum Sample Pans, 80 Pcs. | 80850086 |
| Pads, Glass Fiber, Qty 200 Pcs | 80850087 |
| In-Use-Cover | 80252475 |
| Pan Holder, MB Series | 80252476 |
| Sample Cage, MB Series | 80252477 |
| Reusable Sample Pans, 3 Pcs, 7mm, MB Series | 80252478 |
| Reusable Sample Pans, 3 Pcs, 14mm, MB Series | 80252479 |
| Impact Printer SF40A | 30064203 |
| Thermal Printer, STP-103, US | 80251992 |

Outline Dimensions



OHAUS CORPORATION
* 7 Campus Drive
Suite 310
Parsippany, NJ 07054 USA

Tel: 800.672.7722
973.377.9000
Fax: 973.944.7177

www.ohaus.com

*With offices throughout
Europe, Asia, and
Latin America*

*ISO 9001:2008
Registered Quality
Management System

